



BUILT FOR WORK



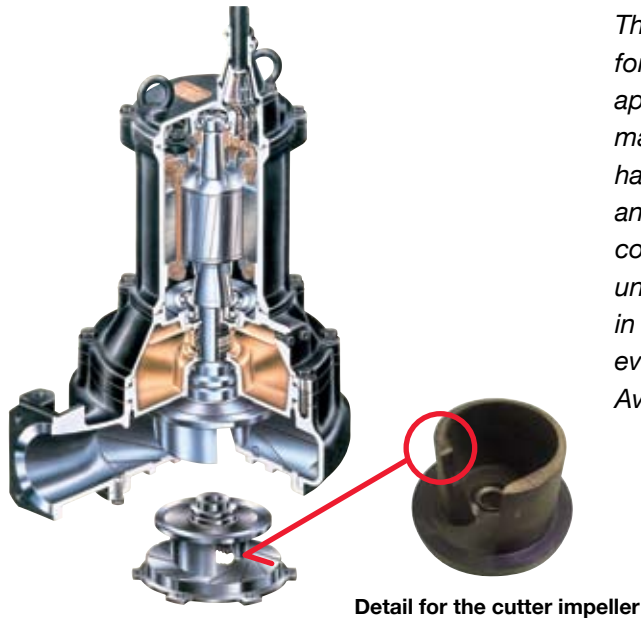
SEWAGE AND WASTEWATER PUMPS

**CUTTER SEWAGE PUMP
C SERIES**

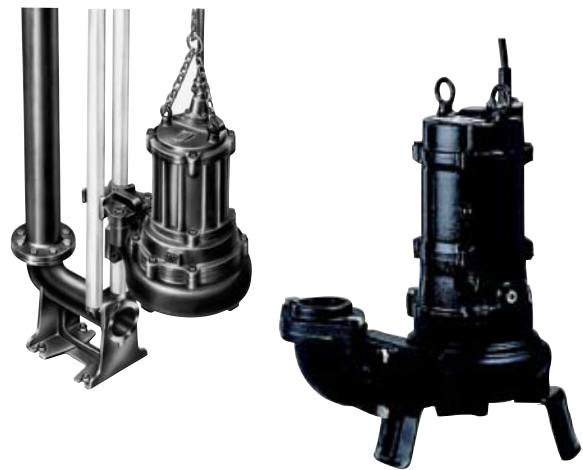
Electric Submersible Pumps • Engine Powered Pumps • Accessories

C Series

SUBMERSIBLE CUTTER PUMPS

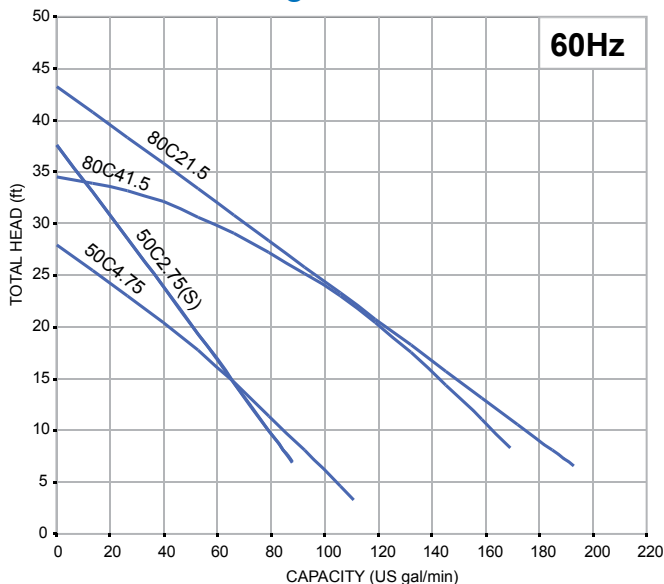


The **C SERIES CUTTER** Tsurumi submersible pump is designed for handling raw sewage, wastewater and heavy duty industrial applications, where the pump is subject to clogging from oversize material and requires maximum reliability. The **C SERIES CUTTER** has a proven track record for offering long life in both continuous and intermittent sump applications, such as; hotels, prisons, commercial, restaurants & retail applications where down time is unacceptable. With the unique cutter impeller/wear plate design in the **C SERIES CUTTER**, Tsurumi has the right model to handle every application to efficiently transfer the most aggressive liquids. Available up to 30HP in Free-standing, Guide Rail & Dry Pit designs.

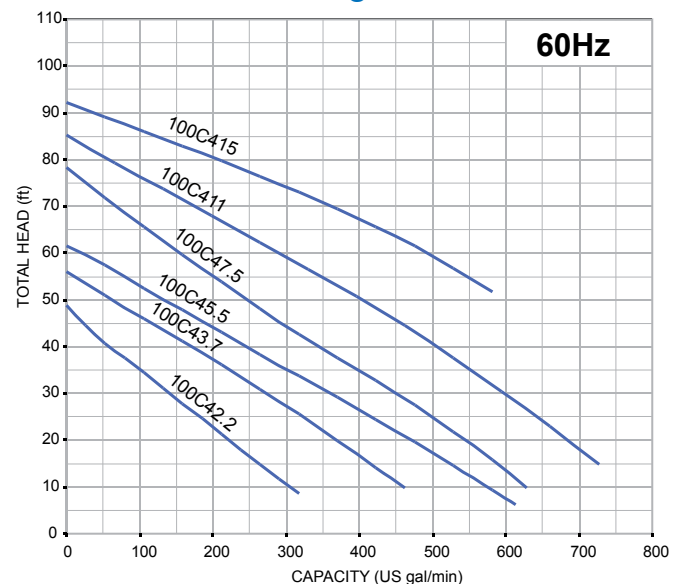


Performance Curves

Discharge Size: 2" - 3"

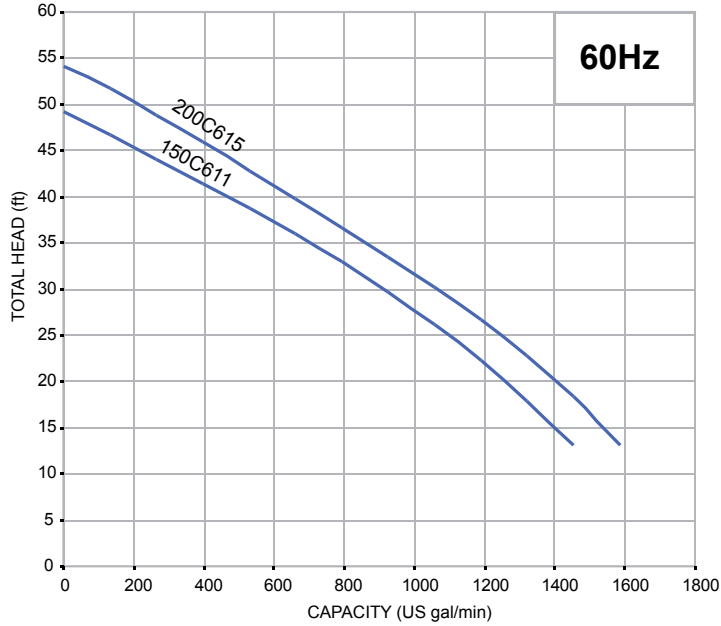


Discharge Size: 4"



Performance Curves

Discharge Size: 6" - 8"

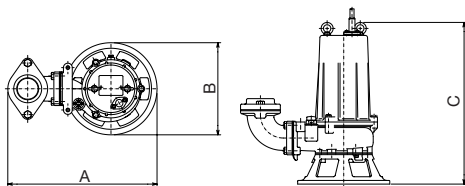


C Series Specification

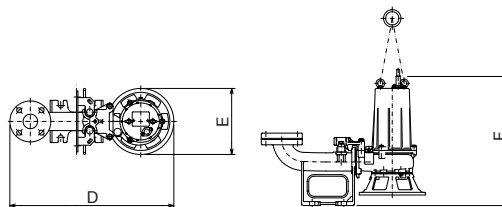
| Model | Discharge Size (inch) | Phase | Motor Output (HP) | Voltages | Dimensions (inch) | | | | | | Cable length (ft) | Free Standing Weight (lbs.) | ※Guide Rail Fitting (lbs.) |
|----------|-----------------------|-------|-------------------|-------------|----------------------|----------|----------|-----------------------|----------|----------|-------------------|-----------------------------|----------------------------|
| | | | | | Free Standing Models | | | TOS Guide Rail Models | | | | | |
| | | | | | A | B | C | D | E | F | | | |
| 50C2.75S | 2 | 1Ø | 1 | 115/230 | 15 15/16 | 9 13/16 | 20 9/16 | 24 7/16 | 9 13/16 | 22 5/16 | 32 | 70 | 66 |
| 50C2.75 | 2 | 3Ø | 1 | 230/460/575 | 15 15/16 | 9 13/16 | 16 5/16 | 24 7/16 | 9 13/16 | 18 1/16 | 32 | 53 | 51 |
| 50C4.75 | 2 | 3Ø | 1 | 230/460/575 | 16 13/16 | 11 3/16 | 19 5/8 | 25 5/16 | 11 3/16 | 21 9/16 | 32 | 104 | 90 |
| 80C21.5 | 3 | 3Ø | 2 | 230/460/575 | 17 9/16 | 9 13/16 | 21 1/8 | 26 5/16 | 9 13/16 | 23 1/16 | 32 | 79 | 75 |
| 80C41.5 | 3 | 3Ø | 2 | 230/460/575 | 19 5/8 | 12 7/16 | 23 | 28 3/8 | 12 7/16 | 23 7/8 | 32 | 119 | 115 |
| 100C42.2 | 4 | 3Ø | 3 | 230/460/575 | 23 3/8 | 12 3/4 | 24 1/4 | 29 11/16 | 12 3/4 | 24 13/16 | 32 | 154 | 141 |
| 100C43.7 | 4 | 3Ø | 5 | 230/460/575 | 23 9/16 | 13 1/8 | 27 3/16 | 29 7/8 | 13 1/8 | 27 9/16 | 32 | 183 | 170 |
| 100C45.5 | 4 | 3Ø | 7 1/2 | 230/460/575 | 27 | 16 1/8 | 35 3/4 | 35 5/8 | 15 1/8 | 35 11/16 | 32 | 309 | 293 |
| 100C47.5 | 4 | 3Ø | 10 | 230/460/575 | 27 | 16 1/8 | 36 9/16 | 35 5/8 | 15 1/8 | 36 1/2 | 32 | 349 | 334 |
| 100C411 | 4 | 3Ø | 15 | 230/460/575 | 27 15/16 | 17 3/16 | 39 3/8 | 36 9/16 | 16 15/16 | 39 5/16 | 32 | 406 | 390 |
| 100C415 | 4 | 3Ø | 20 | 230/460/575 | 27 13/16 | 17 3/16 | 42 1/2 | 36 7/16 | 16 11/16 | 42 7/16 | 32 | 705 | 690 |
| 150C611 | 6 | 3Ø | 15 | 230/460/575 | 41 1/16 | 23 11/16 | 47 11/16 | 48 3/8 | 22 | 46 5/16 | 32 | 950 | 880 |
| 200C615 | 8 | 3Ø | 20 | 230/460/575 | 43 1/4 | 23 11/16 | 49 5/8 | 56 1/4 | 22 | 49 1/16 | 32 | 1210 | 1150 |

※ Pump weight only

Dimension: Free Standing



Dimension: Guide Rail Fitting (TOS / TOK)





The **C SERIES HIGH-HEAD CUTTER** Tsurumi submersible pump is designed for handling raw sewage, wastewater and heavy duty industrial applications, where the pump is subject to clogging from oversize material and requires maximum reliability. The **C SERIES HIGH-HEAD CUTTER** has a proven track record for offering long life in both continuous and intermittent sump applications, such as; hotels, prisons, commercial Buildings, restaurants & retail applications where down time is unacceptable. With the unique cutter impeller/wear plate design in the **C SERIES HIGH-HEAD CUTTER**, Tsurumi has the right model to handle every application to efficiently transfer the most aggressive liquids at higher heads, than the standard C Series. Available up to 30HP in Free-standing and Guide Rail designs.



Applications

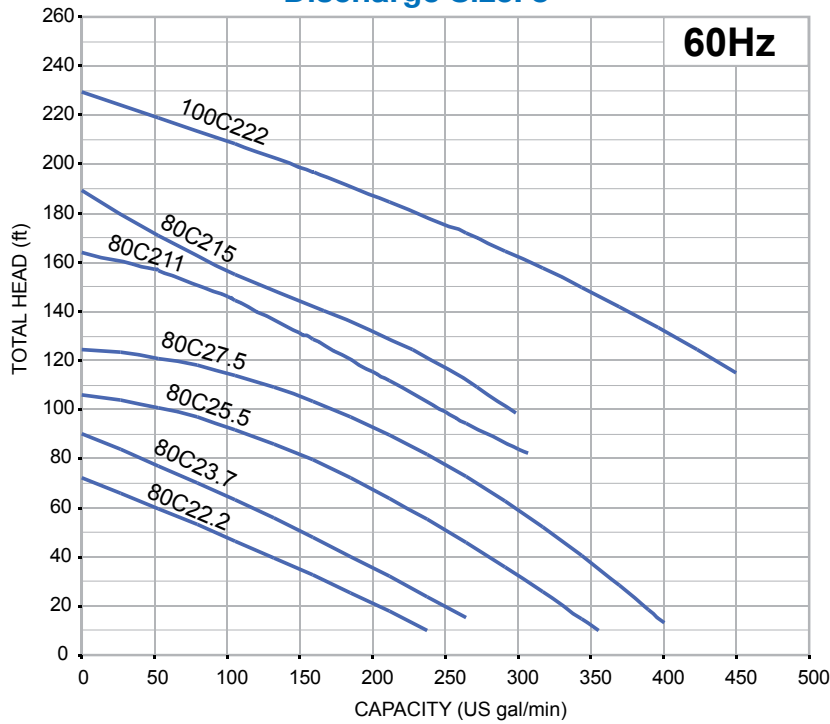
- Transferring sewage and wastewater to wastewater treatment plant
- Draining wastewater from industrial plant.
- Draining effluent from residence, hotel, commercial complex, etc

Semi-Open Channel Impeller
with Cutter Mechanism



Performance Curves

Discharge Size: 3"

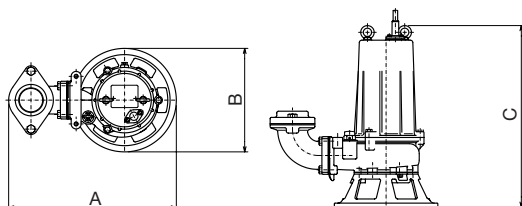


C Series High Head Specification

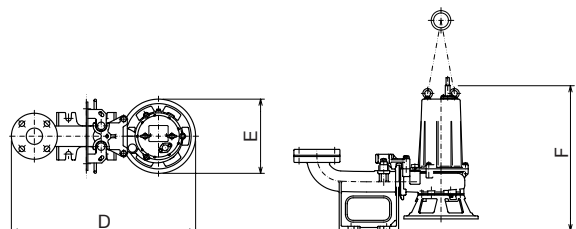
| Model | Discharge Size (inch) | Phase | Motor Output (HP) | Voltages | Dimensions (inch) | | | | | | Cable length (ft) | Free Standing Weight (lbs.) | *Guide Rail Fitting (lbs.) |
|---------|-----------------------|-------|-------------------|-------------|----------------------|----------|----------|-----------------------|----------|---------|-------------------|-----------------------------|----------------------------|
| | | | | | Free Standing Models | | | TOS Guide Rail Models | | | | | |
| | | | | | A | B | C | D | E | F | | | |
| 80C22.2 | 3 | 3Ø | 3 | 230/460/575 | 20 7/16 | 10 1/4 | 24 1/16 | 27 5/16 | 10 1/4 | 25 3/16 | 32 | 139 | 130 |
| 80C23.7 | 3 | 3Ø | 5 | 230/460/575 | 20 7/16 | 10 1/4 | 24 1/16 | 27 5/16 | 10 1/4 | 25 3/16 | 32 | 141 | 132 |
| 80C25.5 | 3 | 3Ø | 7 1/2 | 230/460/575 | 24 3/16 | 13 9/16 | 34 5/8 | 31 | 12 5/8 | 35 1/2 | 32 | 278 | 265 |
| 80C27.5 | 3 | 3Ø | 10 | 230/460/575 | 24 3/16 | 13 9/16 | 34 5/8 | 31 | 12 5/8 | 35 1/2 | 32 | 284 | 271 |
| 80C211 | 3 | 3Ø | 15 | 230/460/575 | 24 3/16 | 13 9/16 | 36 1/2 | 31 | 12 5/8 | 36 7/16 | 32 | 326 | 313 |
| 80C215 | 3 | 3Ø | 20 | 230/460 | 28 3/4 | 16 15/16 | 42 11/16 | 37 3/16 | 16 15/16 | 42 3/4 | 32 | 880 | 820 |
| 100C222 | 4 | 3Ø | 30 | 230/460 | 32 15/16 | 20 1/16 | 46 5/8 | 40 3/8 | 20 1/16 | 46 5/8 | 32 | 930 | 840 |

※ Pump weight only

Dimension: Free Standing



Dimension: Guide Rail Fitting (TOS / TOK)



The Pump Technology That The World Trusts.



Tsurumi introduced its international strategy in the 1960s. Our technical capabilities gained recognition first in Asia in the 1970s and then in the United States and Europe in the 1980s.

Following the initial steps, our international division successfully penetrated many worldwide markets including: construction, civil engineering, mining, industrial, wastewater, sewage treatment, and flood control.

Today Tsurumi has expanded its base of operations and is active in 45 countries and regions. In addition to supporting a variety of work sites, our high-performance pump products are widely used in large-scale national projects where they surpass expectations. Reliable performance is our first priority.



For Sales, Service, and Specifications, call:
1-888-TSURUMI (878-7864)
1-800-748-4458 (Utah Office)



TSURUMI (AMERICA), INC.
1625 Fullerton Court
Glendale Heights, IL 60139
Tel: 1-888-878-7864 (Toll-Free)
1-630-793-0127
Fax: 1-630-793-0146



TSURUMI (AMERICA), INC. WEST
6216 West 9790 South
West Jordan, UT 84081
Tel: 1-800-748-4458 (Toll-Free)
1-801-563-5910
Fax: 1-801-563-5911

Your Dealer

OCT10-SWW-WEB/DIS

Visit our new website: www.tsurumipump.com